

# GH 300 | 400

Welding Machines for Truss Girders

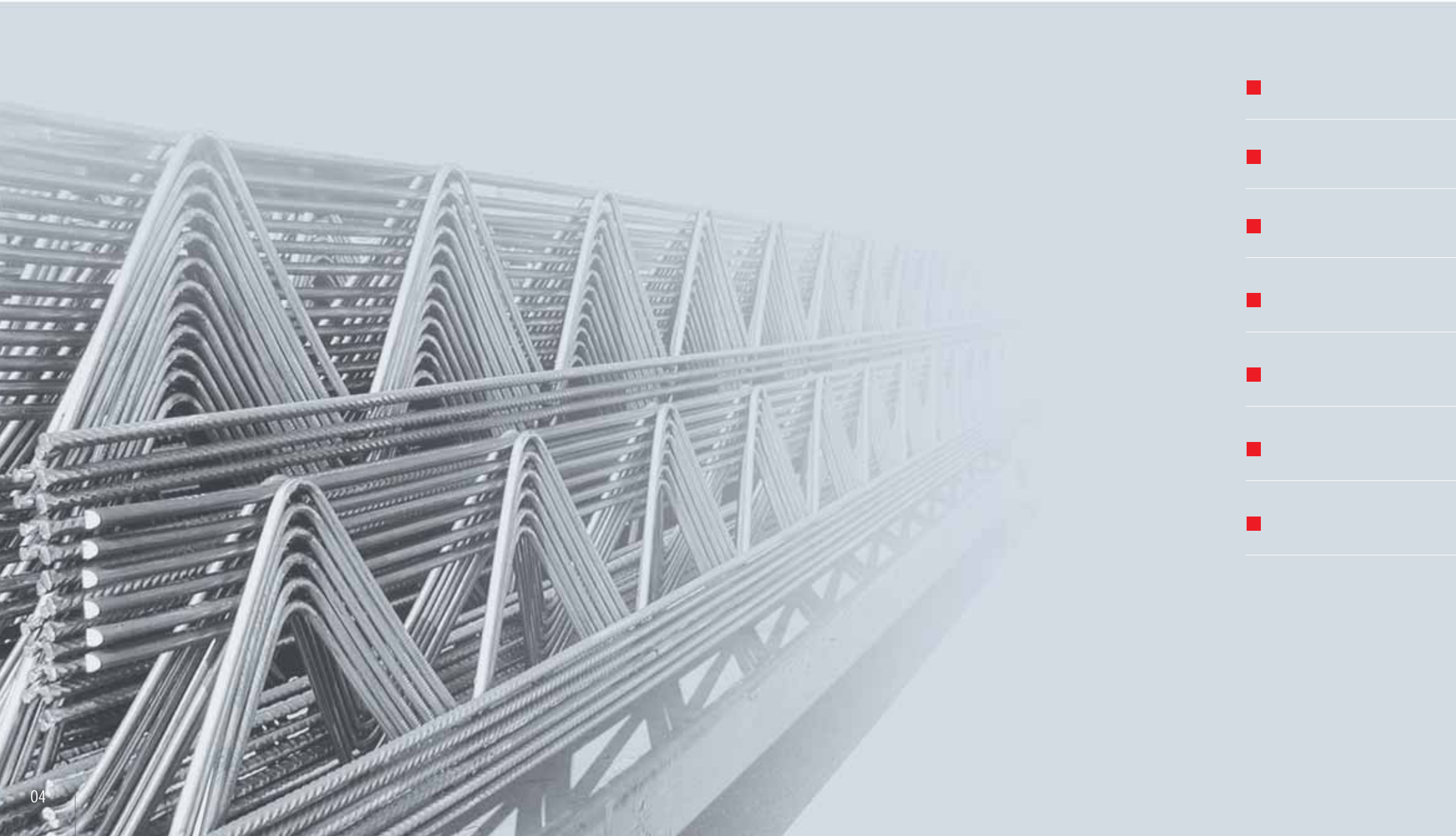


Entwicklungs- und Verwertungs-Gesellschaft m.b.H., Raaba-Austria





# GH 300 | 400 Welding Machines for Truss Girders



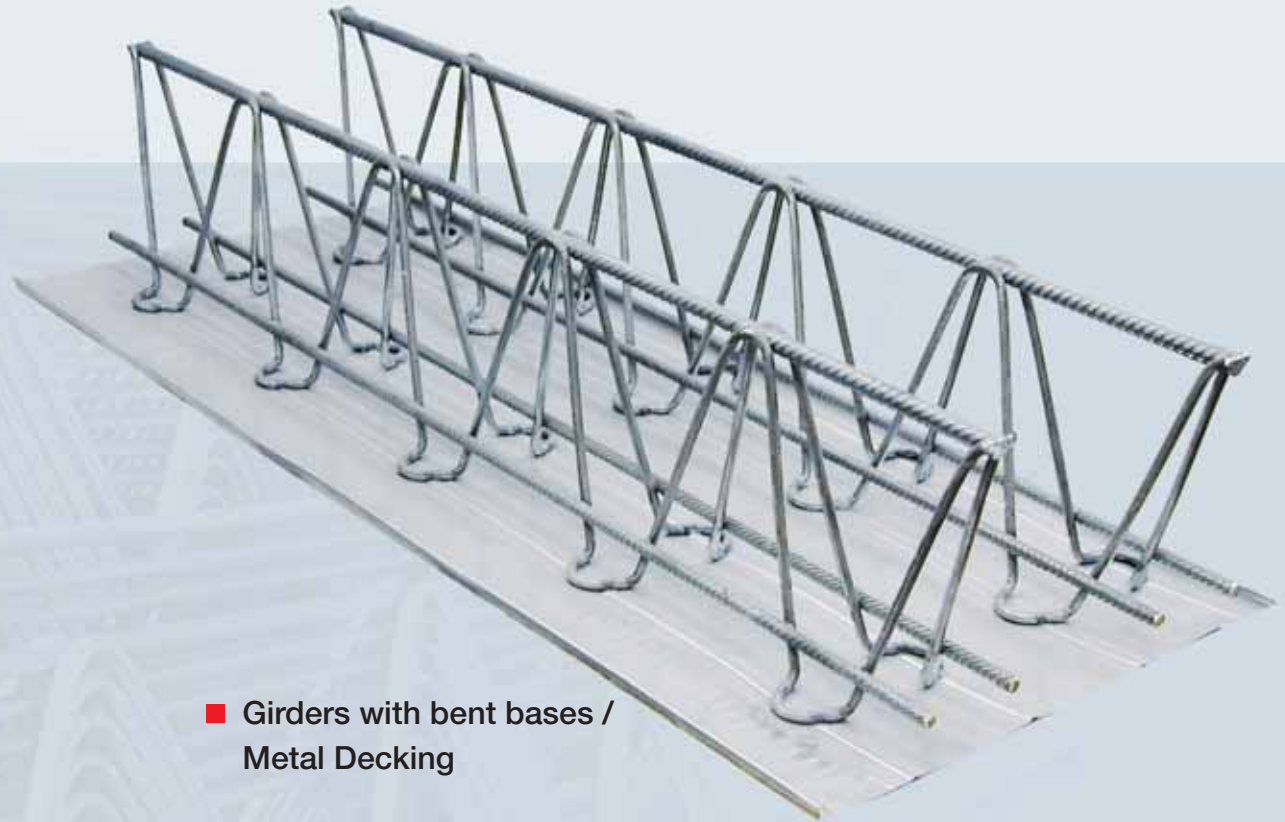
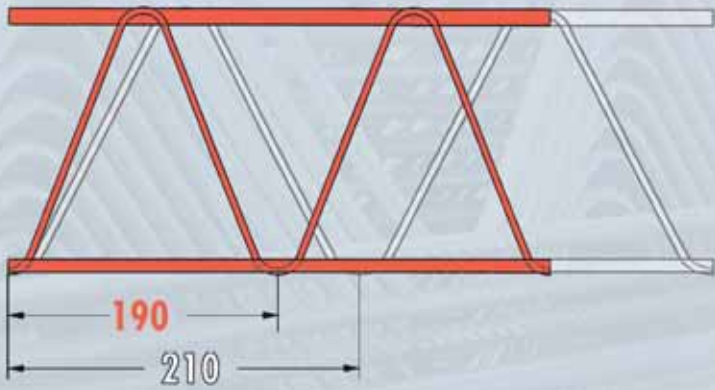
- 
- 
- 
- 
- 
- 
-

Technical data	6 - 7
Basic configuration	8 - 9
Wire feeding	10 - 11
Truss girder welder	12 - 13
Truss girder shears	14 - 15
Truss girder stacker	16 - 17
Competence	18 - 19

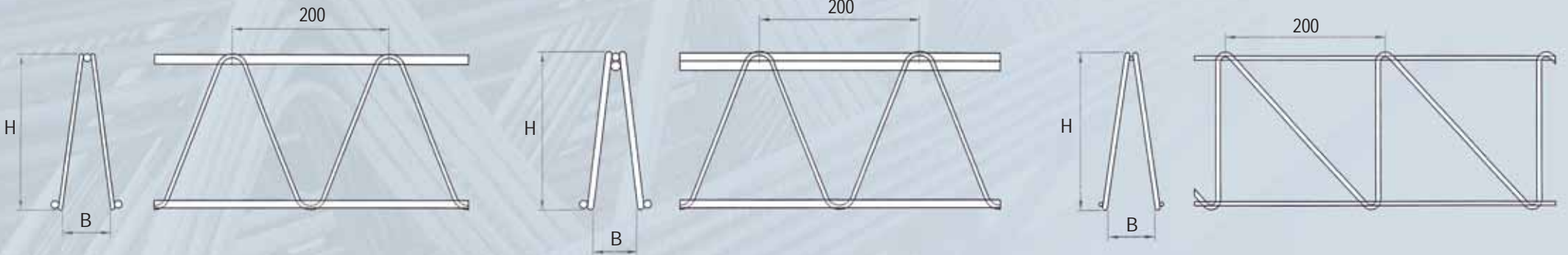




■ V- Girders



■ Girders with bent bases / Metal Decking



■ Standard girders

■ Truss girders with double upper chord

■ Truss girder

# Technical Data



- Welding systems designed for fully automated production of truss girders working directly from wire coils or spools, processing cold or hot rolled wire.

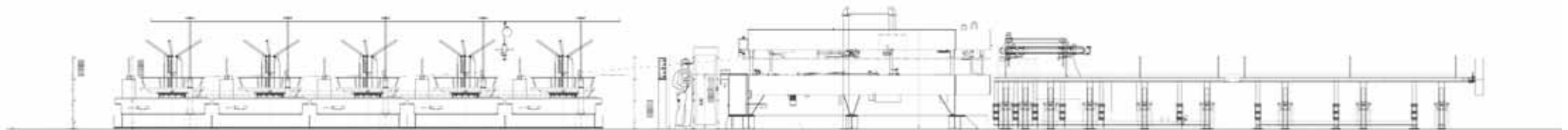
Designed for flexibility, the GH offers quick and easy changeovers. A fully automated height adjustment system is available as an option.

Standard GH are equipped for fixed truss wire spacing of 200mm. The "V" version features an adjustable wire advance system for truss wire spacings ranging from 190-210 mm.

An optionally available module can be used to produce shear reinforcement girders as well as standard girders on a single machine.

The technical data indicated refers to standard lines, which can be adapted to your specific requirements.

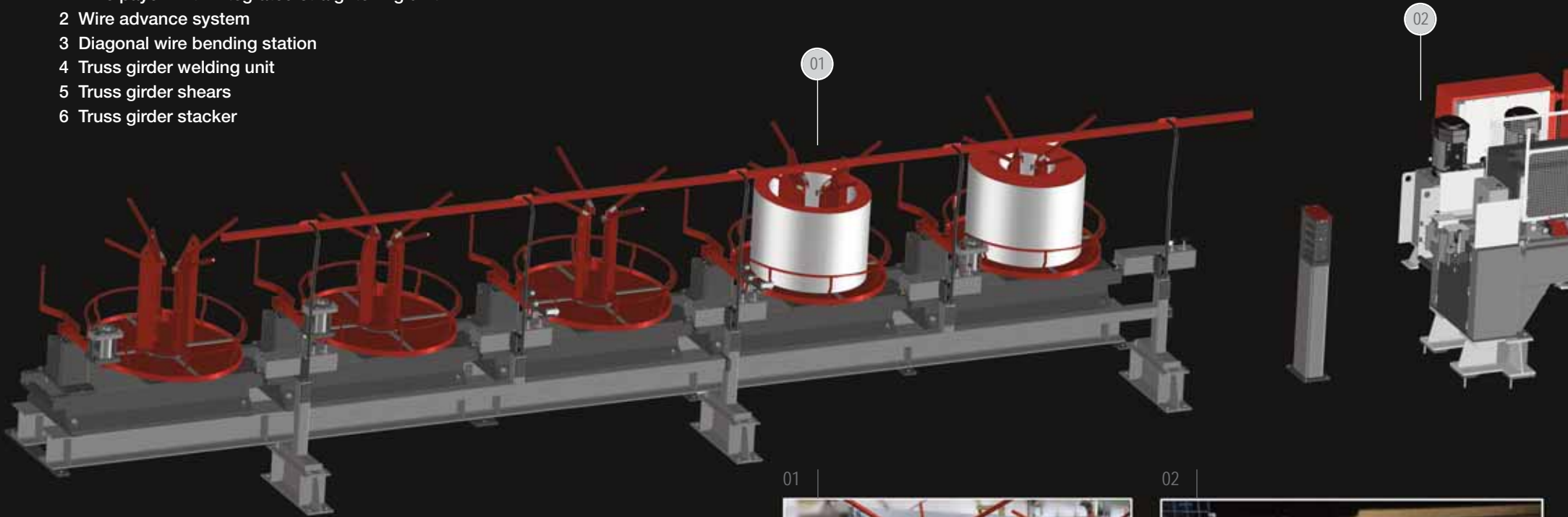
		GH 300	GH 300 V	GH 400	GH 400 V
Girder height	mm	70 - 300	70 - 300	70 - 400	70 - 400
Lower chord $\varnothing$	mm	5 - 14	5 - 14	5 - 16	5 - 16
Truss wire $\varnothing$	mm	5 - 7	5 - 7	5 - 9	5 - 9
Upper chord $\varnothing$	mm	5 - 14	5 - 14	5 - 16	5 - 16
Diagonal wire spacing	mm	200	190-210	200	190-210
Standard base width B	mm	58	58	58	58
max. working speed	[m/min]	15	15	15	15



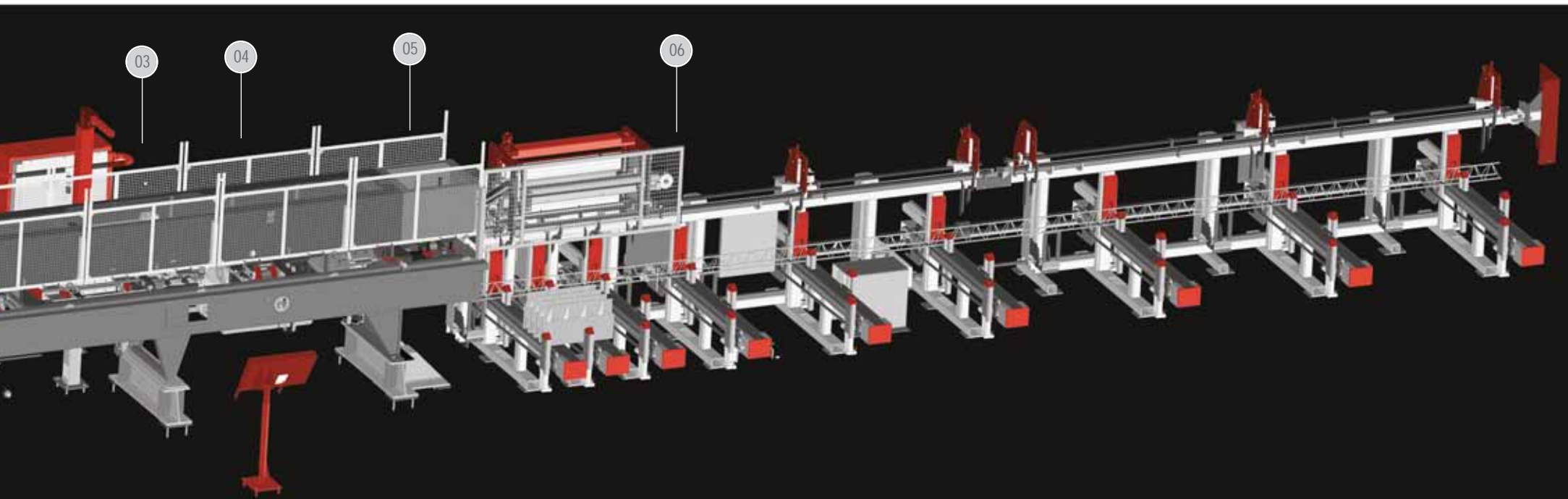
# Basic configuration

## ■ Components of the Line

- 1 Wire payoff with integrated straightening unit
- 2 Wire advance system
- 3 Diagonal wire bending station
- 4 Truss girder welding unit
- 5 Truss girder shears
- 6 Truss girder stacker









■ **Wire Payoff with integrated straightening unit**

Feeding of wires automatically from coils or spools. The turntables feature a ratchet drive, swiveling arm and band brake to ensure wires will be continuously fed into the GH welding machine without resistance. Each payoff position features adjustable vertical and horizontal roller type straightening blocks providing optimal wire quality for every truss girder.





# Wire feeding system and bending station



## ■ Bending station

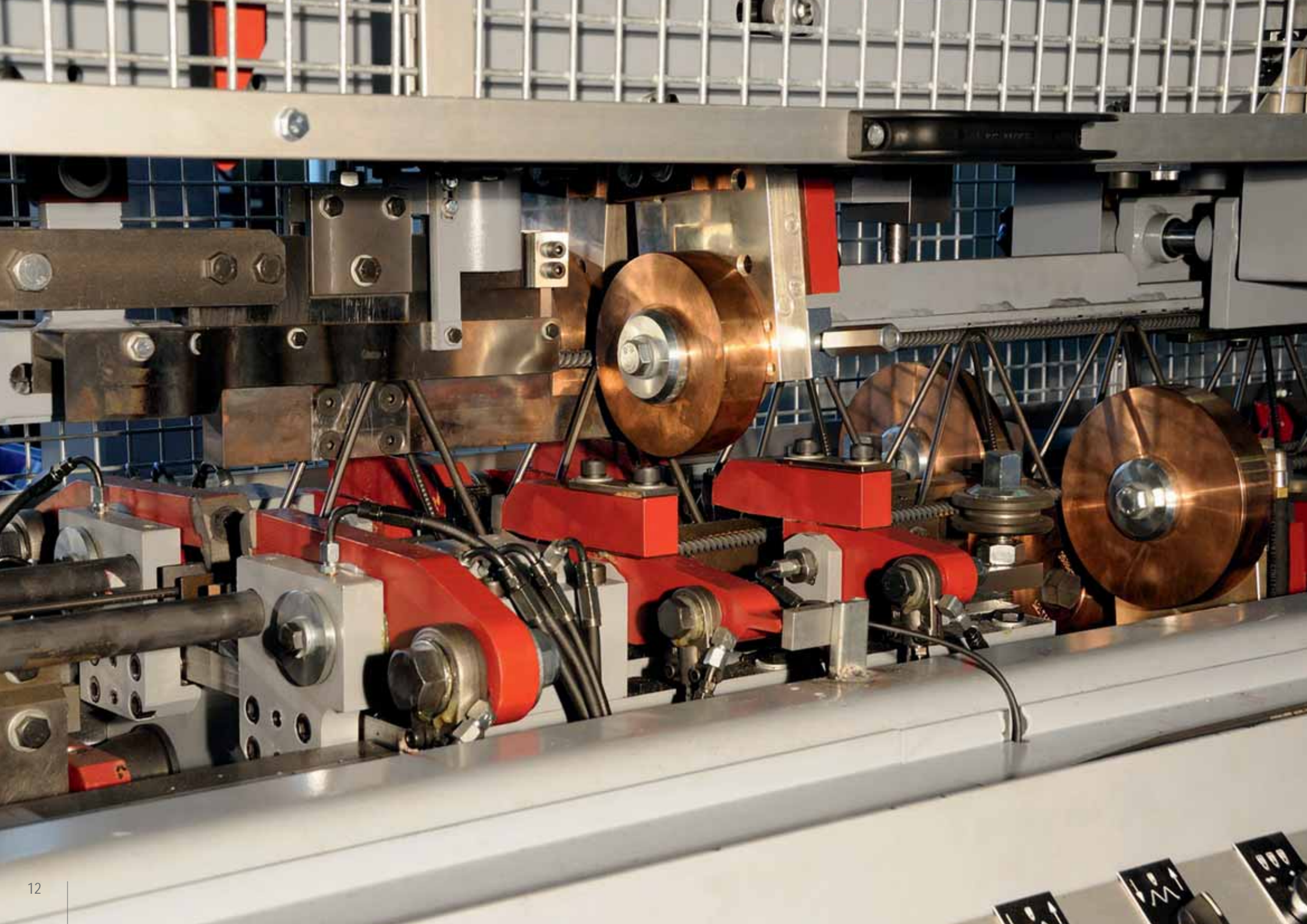
Hydraulically driven bending station for forming of diagonal wires.  
Extremely short changeovers for different truss girder heights are achieved by an electric driven height adjustment system.  
A special bending module for the production of shear reinforcement girders is optionally available.



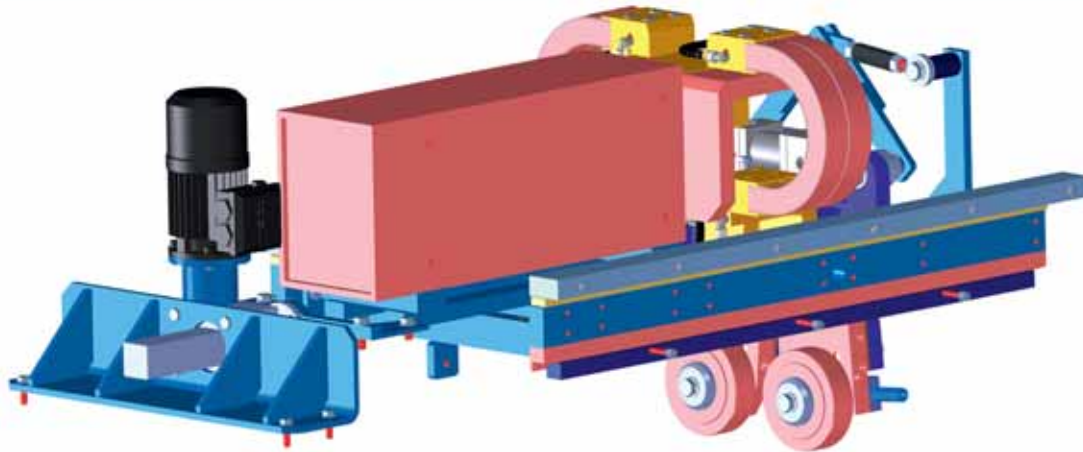
## ■ Wire advance system

Mechanical advance by means of a transport chariot with hydraulic clamping of all wires.  
Optionally available: special design of the advance system offering variable advance steps for truss wire spacings of 190-210mm. (GH "V" machines).







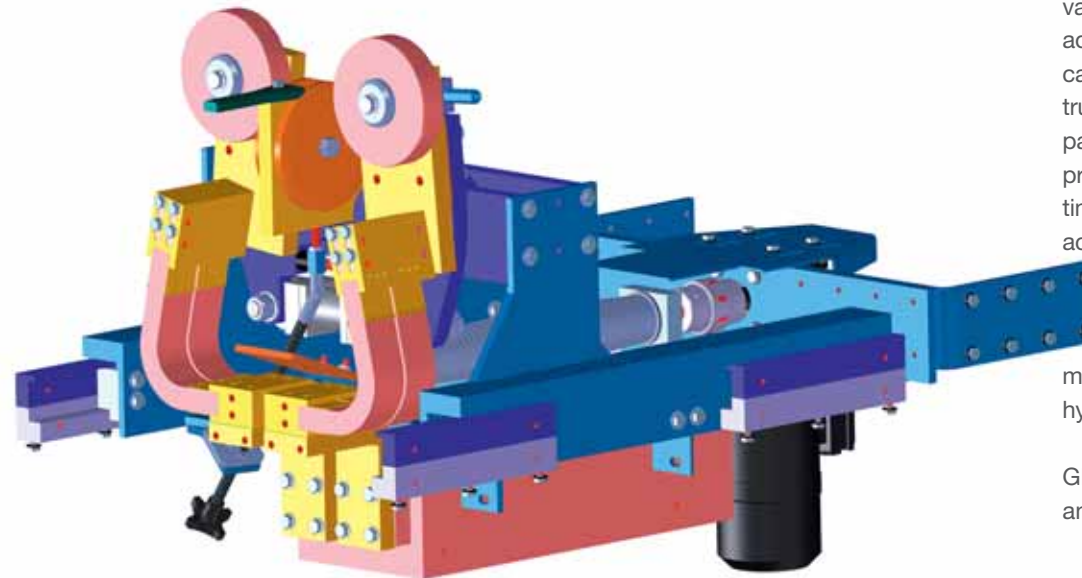


- Welding of upper and lower chord wires by separate hydraulically controlled welding units. This design provides for tight control of the welding process with high precision and short welding cycles, resulting in minimal thermal influences on the geometry of the truss girders. The special design of the welding electrodes offers a service life of up to 7 million welding cycles.

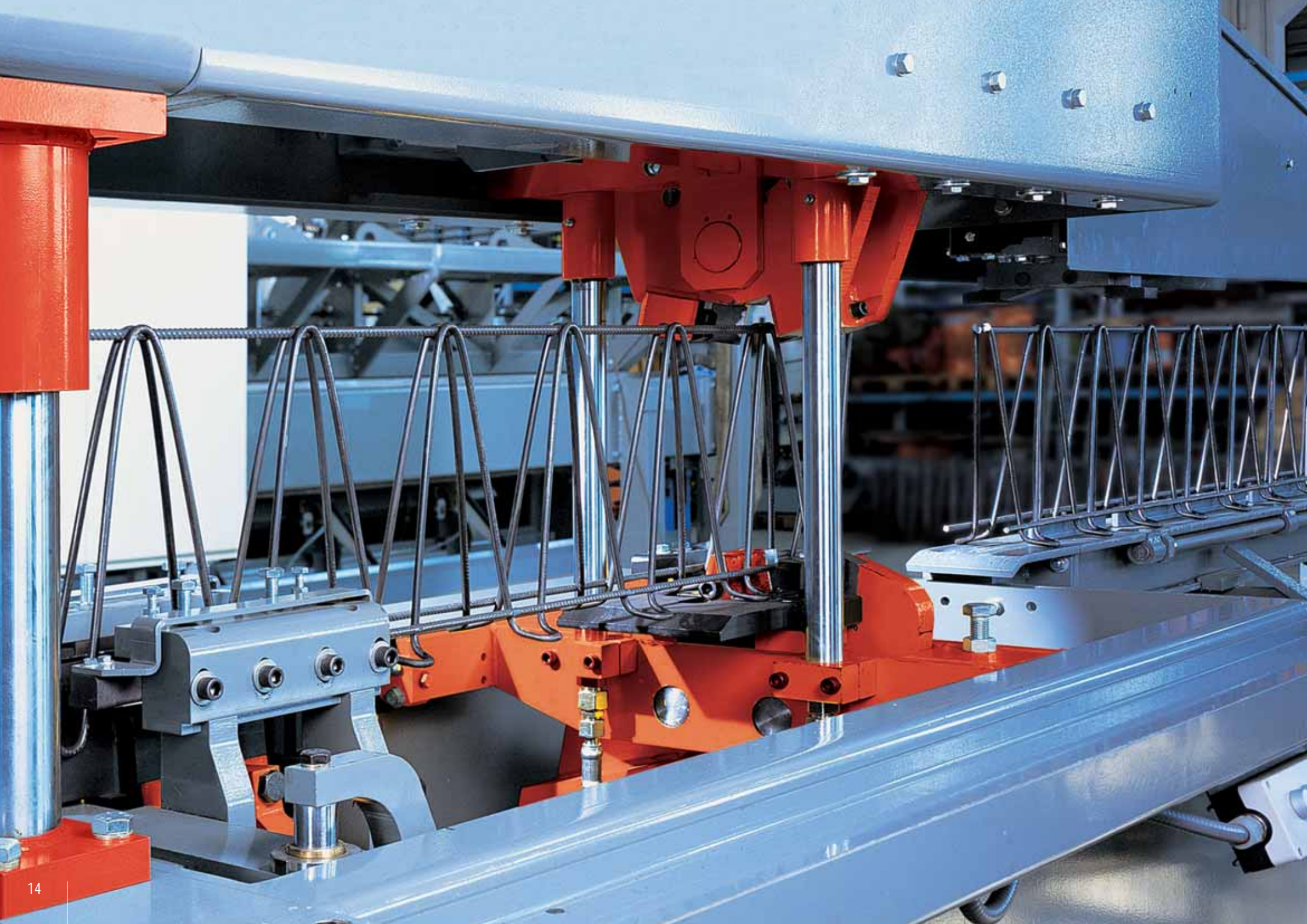
The upper chord welding unit, including its wire guides, features a continuously variable and fully automatic height adjustment system, as do the feed carriage, the bending device, and the truss girder shears. Storing the required parameters in the system's control unit provides extremely short changeover times with highly repetitive dimensional accuracy.

Superior truss girder quality is maintained using an integrated mechanical anti-twisting device and a hydraulic spreader mechanism.

GH machines are available in left-hand and right-hand side versions.

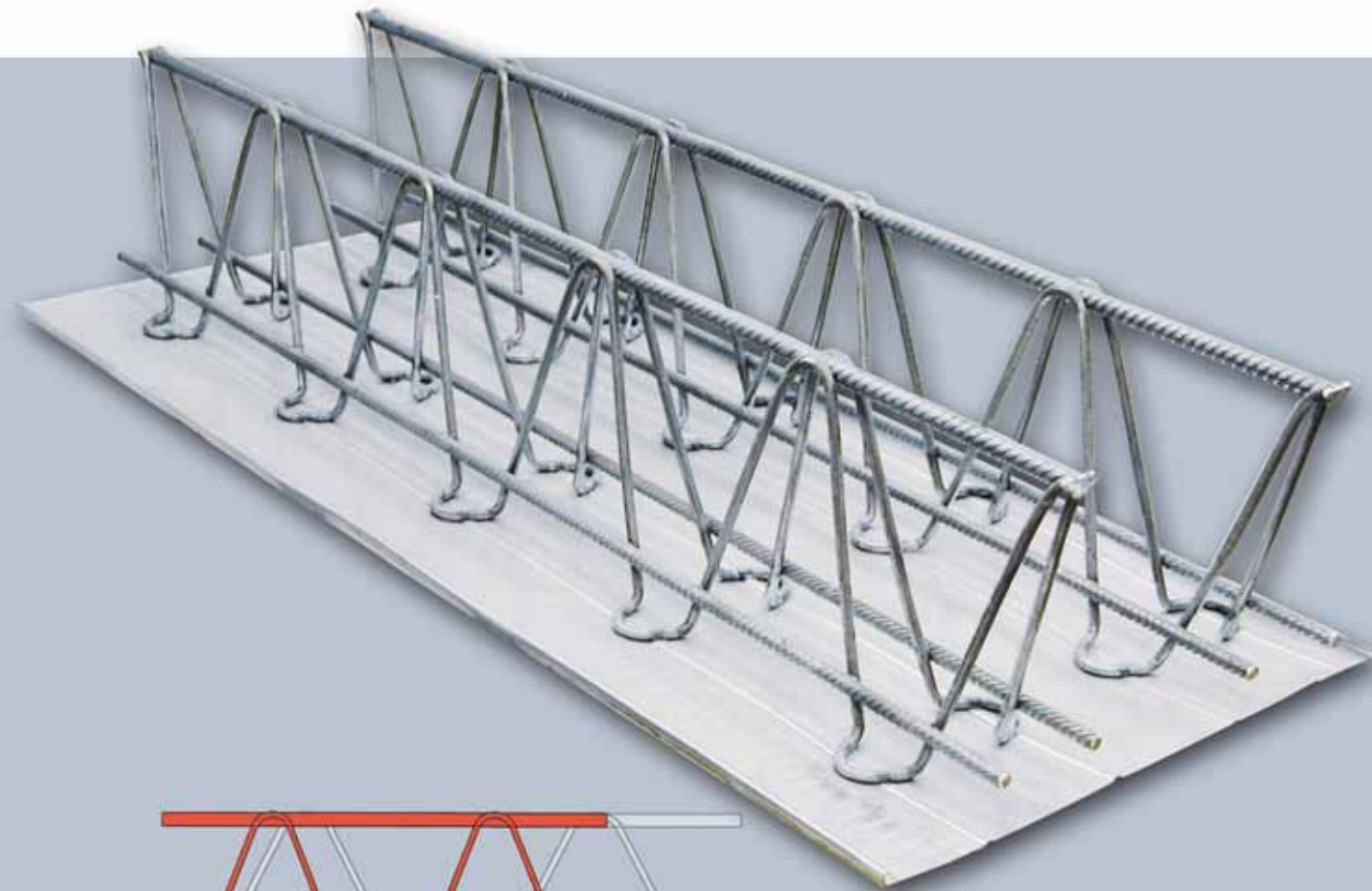
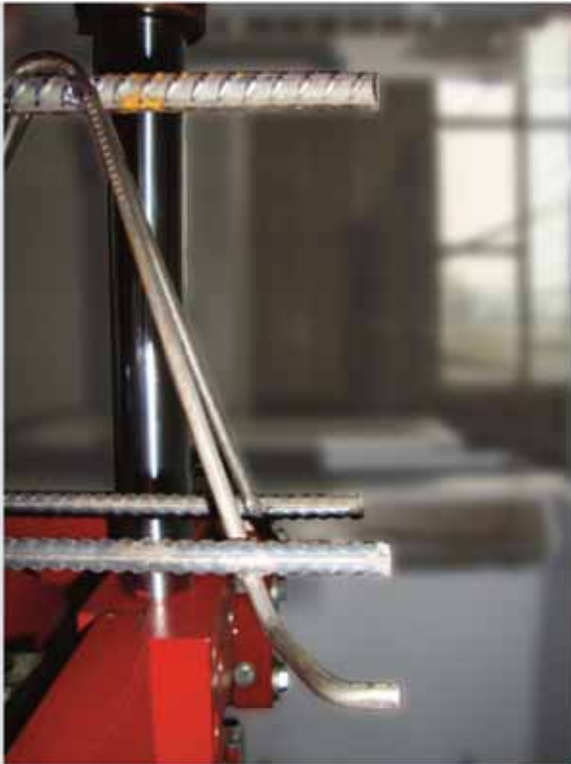




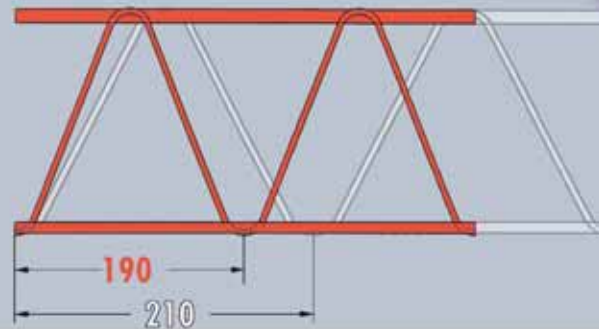




# Truss girder shears



- Hydraulically actuated girder shears for burr-free cutting in the upper or lower weld joint. The girder shears are positioned by means of a motor-driven system. For the production of "metal decking" girders, using the optionally available bending devices for bending diagonal wires over the lower chord wires. A special set of shears is provided to cut the girders in the center of the formed truss wire ("center-foot" cut).



# Truss girder stacker



## ■ SVE truss girder stacker

Once the truss girder is cut to programmed length an electrically driven conveyor transports the truss girders to the runoff track where they are dropped into a stationary hook rack.





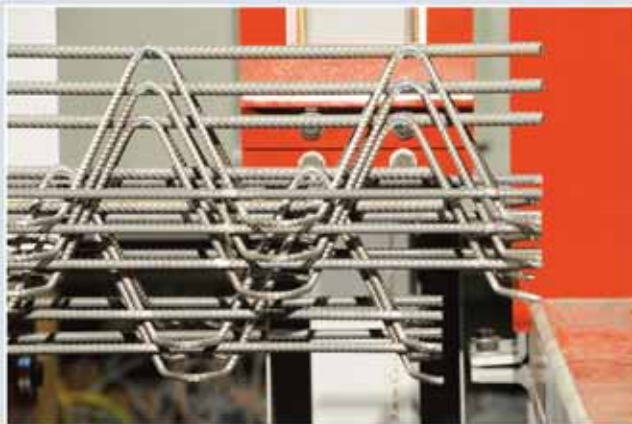
# Truss girder stacker



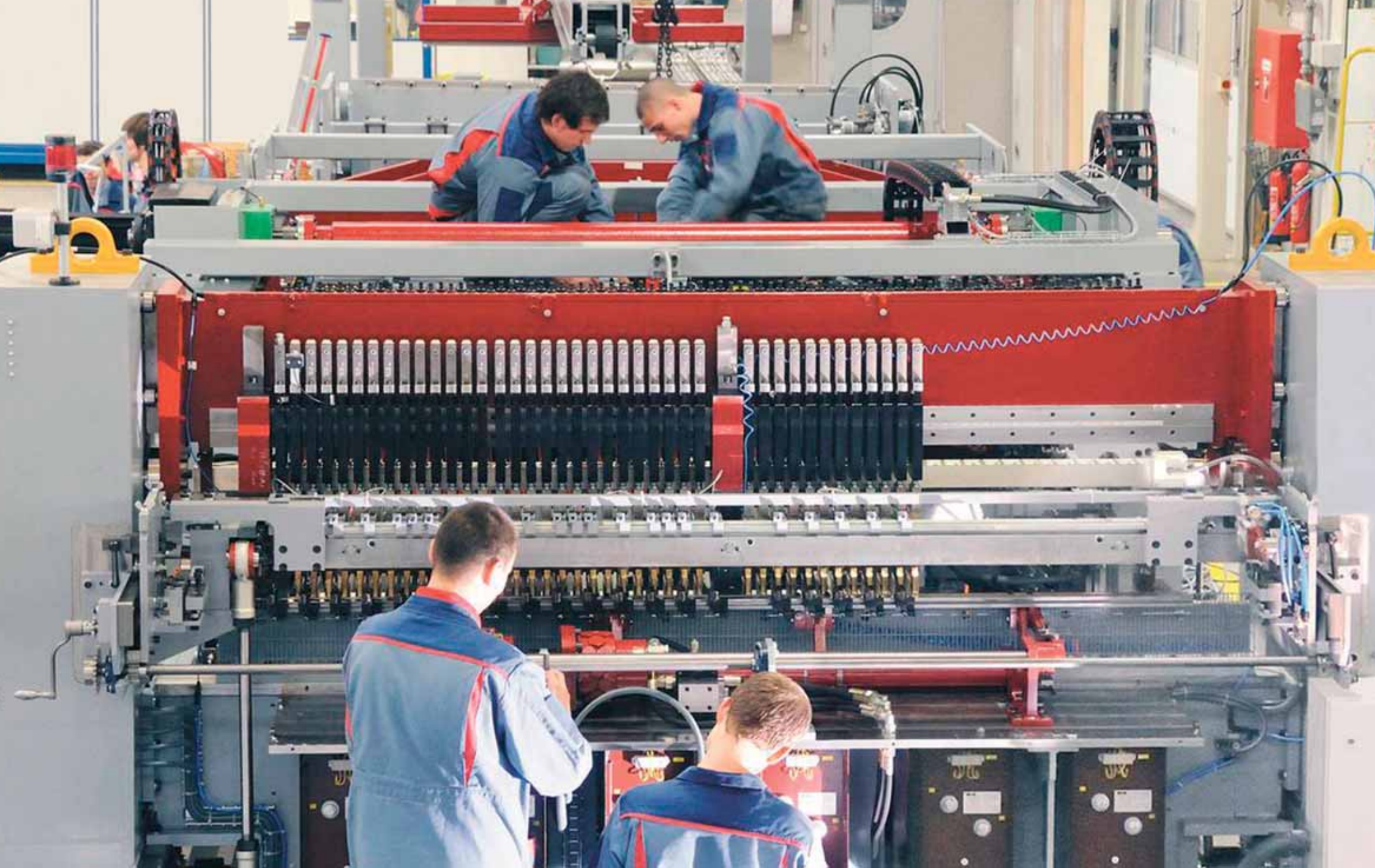
## ■ SVH | SVM truss girder stacker

Truss girders that have been cut to programmed length are automatically positioned and stacked. An electric servo-drive conveyor advances the truss girders to the stacking area placing the girders exactly as required on an integrated lifting table. For each truss girder that's placed in the stacker, the lifting is automatically lowered by the corresponding stacking height. Once the preset stack quantity is reached, the stack of truss girders is pushed off.

The SVM stacker configuration provides truss girders in packages in preset quantities on a rack so they can be transported off efficiently.







# Competence



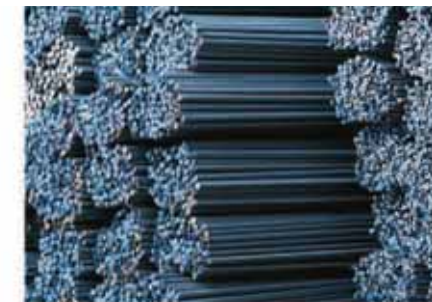
## Group of Companies

The group of companies EVG - AVI - MARIENHÜTTE with its complete program for the production of reinforcing steel and welded mesh is your reliable and experienced partner when it comes to reinforcement of concrete, wire products, production equipment and knowhow.

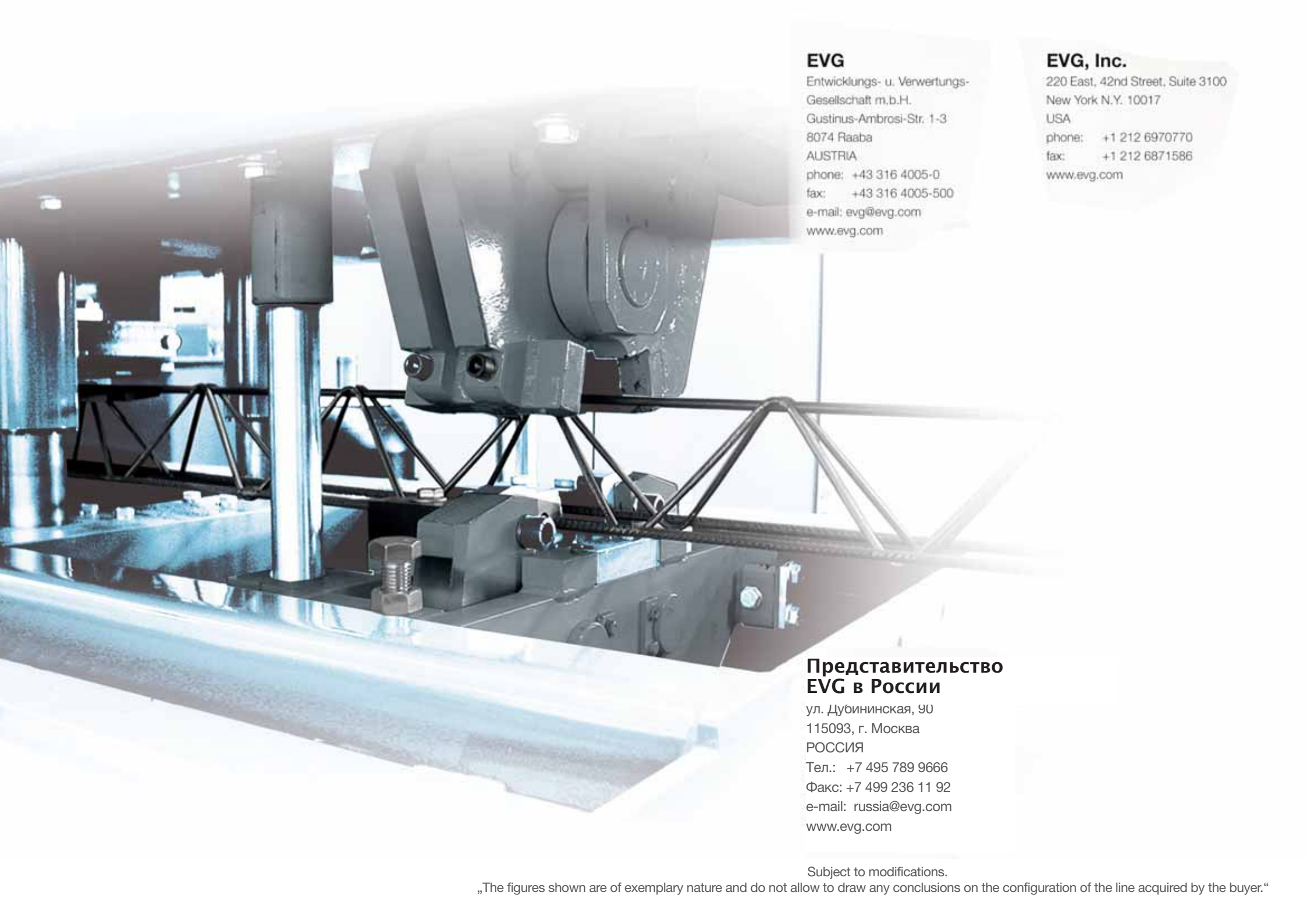
- EVG and FILZMOSER as suppliers of complete production lines
- AVI and BSTG as producers of reinforcing steel sheets, cold-rolled reinforcing steel, truss girders, spacer strips and reinforcing cages
- The steel and rolling mill MARIENHÜTTE as producer of reinforcing steel
- H&S Zauntechnik as supplier of industrial and fencing mesh as well as complete fencing systems.

The cooperation within our network of companies allows EVG to become aware of all major challenges inherent in the production and application of mesh and reinforcing products from a machine operator's point of view. Any knowledge gained this way is constantly introduced in our new projects.

The fundamentals of our success; close cooperation with our customers based on a partnership, a highly-qualified staff and continuous innovation.







## **EVG**

Entwicklungs- u. Verwertungs-  
Gesellschaft m.b.H.  
Gustinus-Ambrosi-Str. 1-3  
8074 Raaba  
AUSTRIA  
phone: +43 316 4005-0  
fax: +43 316 4005-500  
e-mail: [evg@evg.com](mailto:evg@evg.com)  
[www.evg.com](http://www.evg.com)

## **EVG, Inc.**

220 East, 42nd Street, Suite 3100  
New York N.Y. 10017  
USA  
phone: +1 212 6970770  
fax: +1 212 6871586  
[www.evg.com](http://www.evg.com)

## **Представительство EVG в России**

ул. Дубининская, 90  
115093, г. Москва  
РОССИЯ  
Тел.: +7 495 789 9666  
Факс: +7 499 236 11 92  
e-mail: [russia@evg.com](mailto:russia@evg.com)  
[www.evg.com](http://www.evg.com)

Subject to modifications.

„The figures shown are of exemplary nature and do not allow to draw any conclusions on the configuration of the line acquired by the buyer.“